

Service
Service
Service



Service Manual

CONTENTS

PAGE

Specifications	2
Controls	3
Connections	4
Warnings and Servicing hints	5
Service Test Program	6
Electrical adjustments	6
Wiring diagram	7-8
Front selector 1 diagram	9-11
Front selector 2 diagram	12-14
Front selector P.C.B	15-17
Power unit diagram	18-20
Power unit P.C.B	21-23
List of mechanical parts	24
Exploded view	25-26
List of electrical parts	27-32



SERVICE TEST PROGRAM

Processor Test

The test can be called up by pressing the keys Loudness and mute at the same time when the amplifier is switched on. The following lamps and LEDs will now be lit. Step A (fig 1)





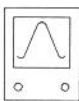



When any key is pressed the following lamps and LEDs will now lit. Step B (fig 1) Press again a key to step F and check every step. (fig 1)

When a key is pressed after step F the volume knob turns for about 4 seconds right and 4 seconds left. After the volume control check a EEPROM check is started. When after 0.2 seconds the magic touch is used to wake up the amplifier, the amplifier will come up with setting G (fig 1)

When setting G is wrong check EEPROM!!

Steps	A	B	C	D	E	F	G
Indication Leds							
CD	off	off	off	off	off	on	off
DCC	off	off	off	off	on	off	off
TV/AUX	off	off	off	on	off	off	off
TUNER	off	off	on	off	off	off	off
PHONE	off	on	off	off	off	off	off
TAPE	on	off	off	off	off	off	on
Source Leds							
St/BY	on	off	on	off	on	off	off
Speak.A	off	on	off	on	off	on	on
Speak.B	on	off	on	off	on	off	off
Auto sel	off	on	off	on	off	on	on
Sour.Dir.	on	off	on	off	on	off	off
Loudness	off	on	off	on	off	on	on
Mute	on	off	on	off	on	off	off

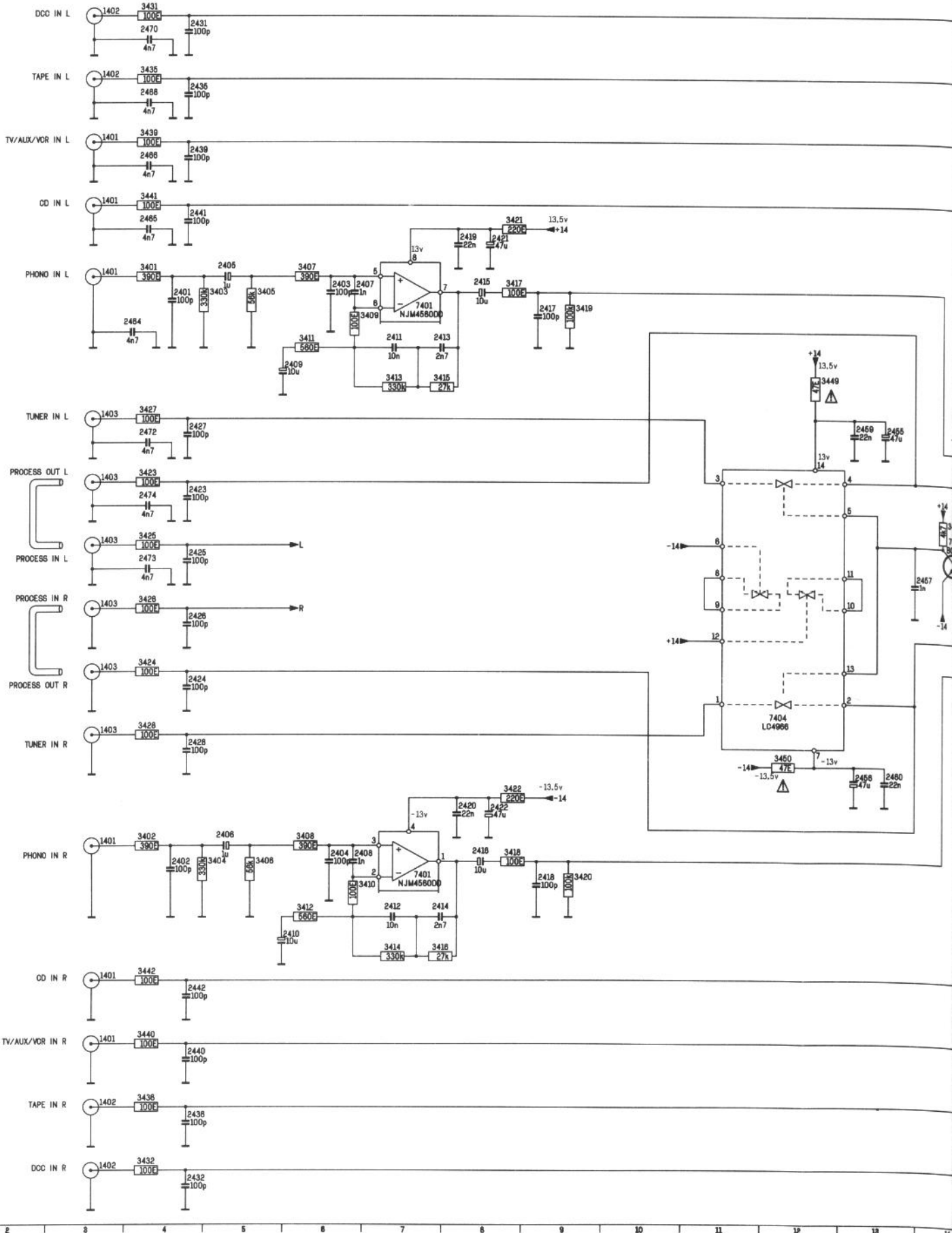
Quiescent Current

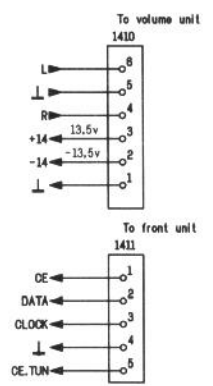
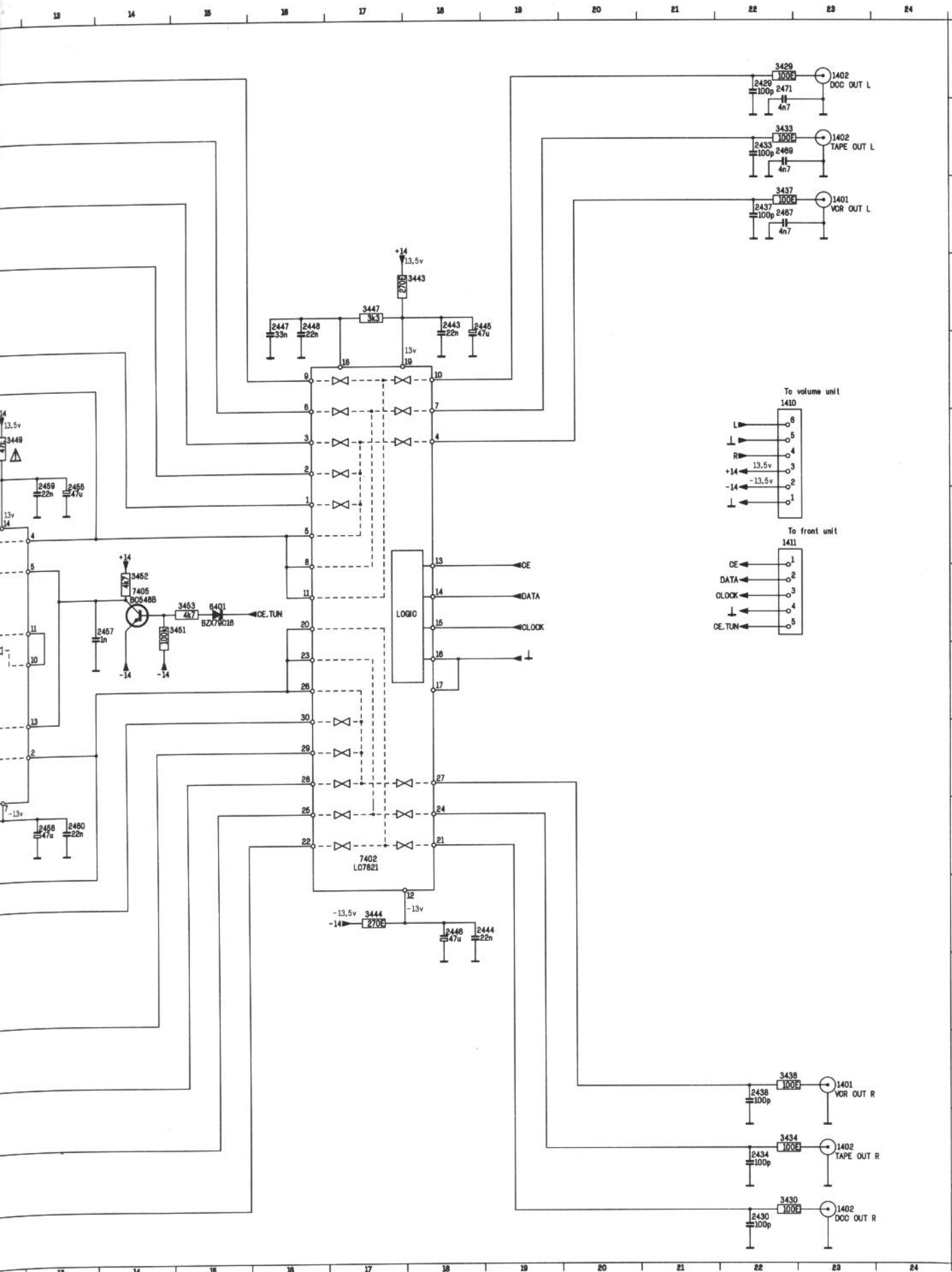
SK.... SWITCH	 SIGNAL	 TO	 VOLUME	 ADJUST	 OSILLOSCOPE	 D.C.METER INDICATOR
STAND - BY				L ch R 3285		L ch.  DC 6 mV
				R ch. R 3286		R ch.  DC 6 mV

- Check for good thermal contact between power transistor and heatsink.
- Mains Voltage 220V /00 240V /05 5%
- Ambient temperature = 20° 5° and heatsink must be at ambient temperature.
- Set volume position to minimum.

- Disconnect speakers or place the set on stand-by position.
- Trimpotmeter in clock wise position.
- The adjustment must be finished for both channels 20sec after power on.

SELECTOR UNIT

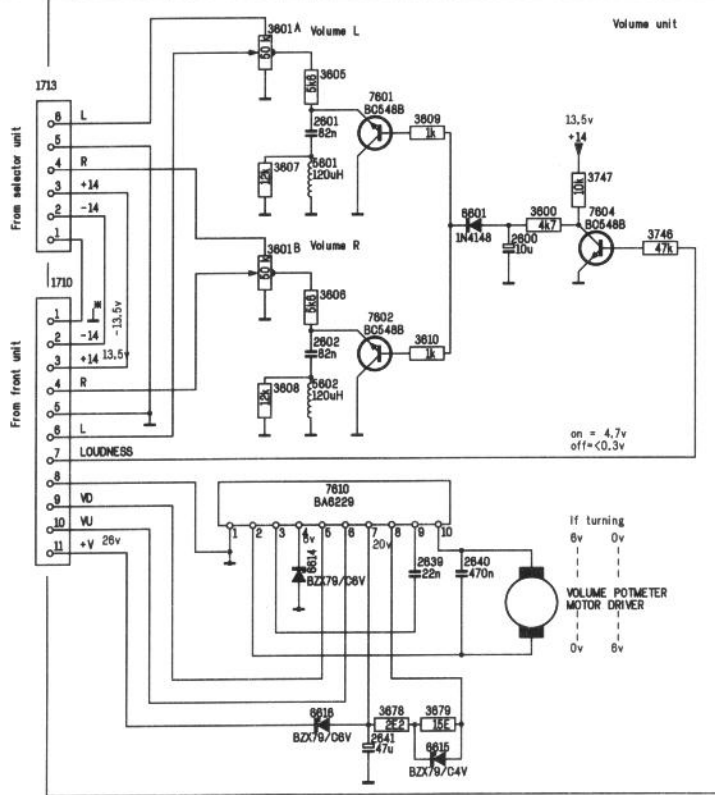




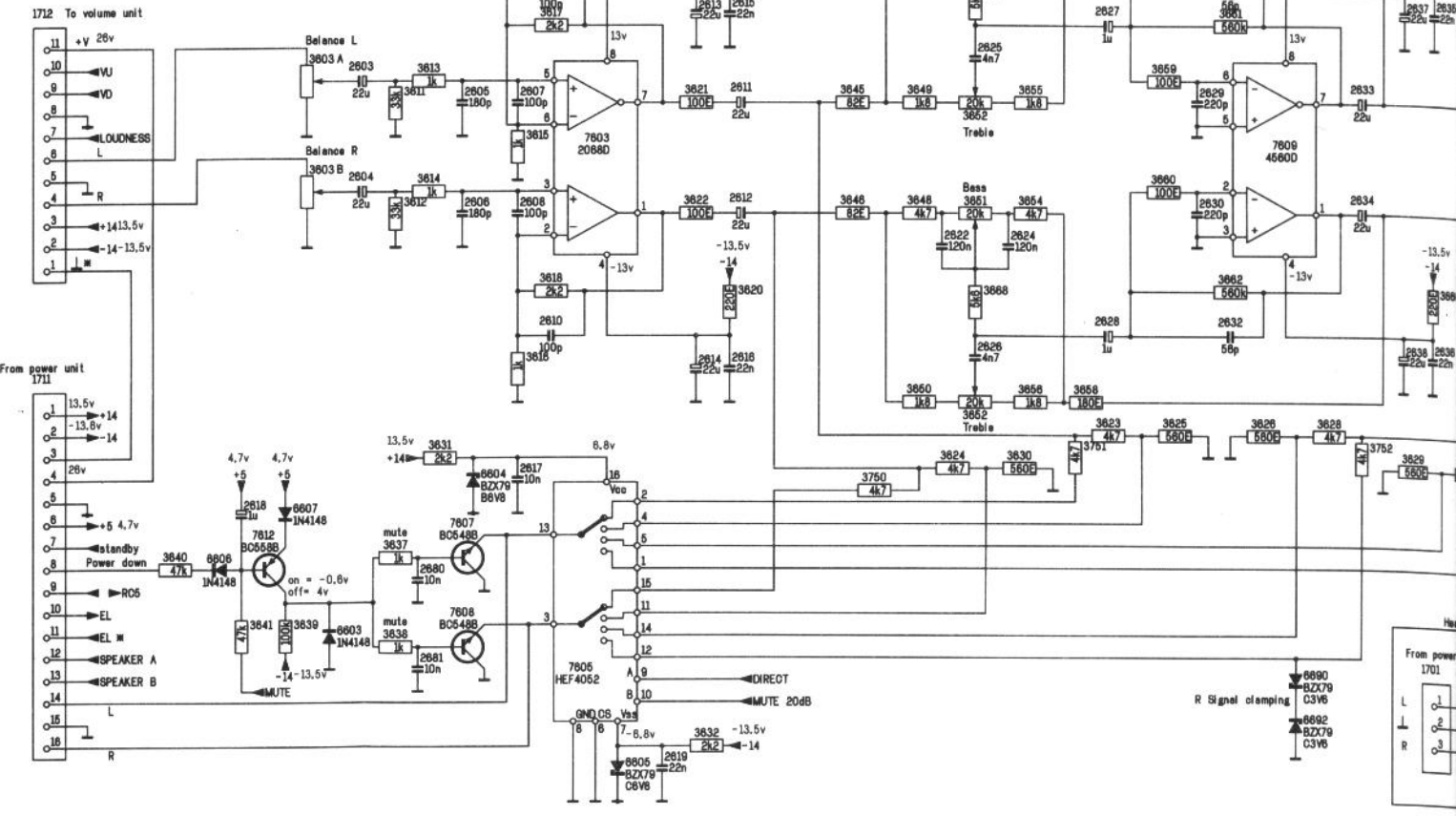
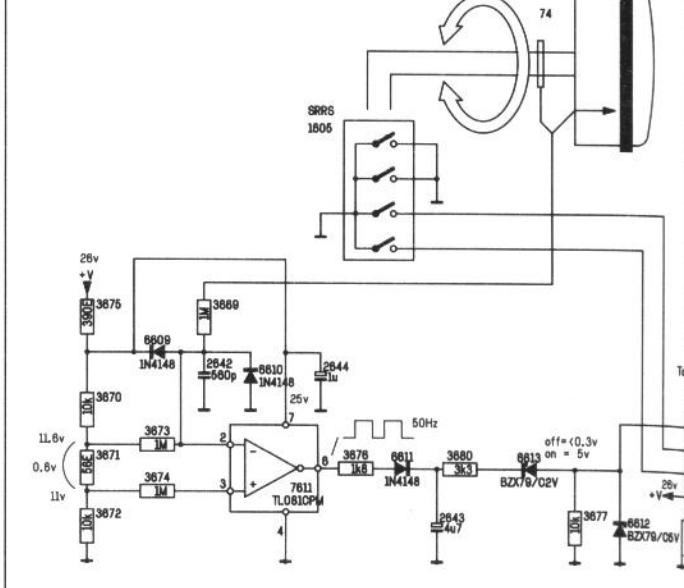
- #### P23
- #### C23
- #### M23
- #### R23
- A #### Q23
- #### R23
- 1401 D 3
- 1401 C 3
- 1401 M 3
- 1401 N 3
- 1401 L 3
- 1401 W23
- 1401 C23
- 1401 D 3
- B 1402 P23
- 1402 R 3
- 1402 B 3
- 1402 F 3
- 1402 D 3
- 1402 R23
- 1402 Q23
- 1402 R23
- 1403 I 3
- 1403 M 3
- C 1403 J 3
- 1403 I 3
- 1403 O 3
- 1403 F 3
- 2401 E 4
- 2402 L 4
- 2403 E 6
- 2404 G 6
- D 2405 D 5
- 2406 L 5
- 2407 E 6
- 2408 F 6
- 2409 F 5
- 2410 M 5
- 2411 E 7
- 2412 I 7
- 2413 E 7
- 2414 L 7
- E 2415 E 8
- 2416 E 8
- 2417 I 8
- 2418 L 9
- 2419 D 8
- 2420 K 8
- 2421 D 8
- 2422 K 8
- 2423 G 4
- 2424 A 4
- F 2425 M 4
- 2426 I 4
- 2427 F 4
- 2428 J 4
- 2429 R22
- 2430 P22
- 2431 R 4
- 2432 F 4
- 2433 B22
- G 2434 Q22
- 2435 B 4
- 2436 O 4
- 2438 C22
- 2438 M22
- 2439 C 4
- 2440 D 4
- 2441 D 4
- 2442 M 4
- 2443 D18
- H 2444 L18
- 2445 D18
- 2446 L18
- 2447 D16
- 2448 D16
- 2449 F13
- I 2450 K13
- 2456 K13
- 2457 H13
- 2458 F13
- 2459 F13
- J 2464 E 4
- 2465 D 4
- 2466 C 4
- 2467 C22
- 2468 B 4
- 2469 B22
- 2470 R 4
- 2471 R22
- 2472 F 4
- K 2473 H 4
- 2474 G 4
- 3401 D 4
- 3402 L 4
- 3403 E 4
- 3404 L 4
- 3405 E 5
- 3406 L 5
- 3407 D 6
- 3408 L 6
- M 3409 L 6
- 3410 L 6
- 3411 E 6
- 3412 L 6
- 3413 F 7
- 3414 M 7
- 3415 F 7
- 3416 M 7
- 3417 E 8
- L 3418 L 8
- 3420 L 8
- 3421 D 8
- 3422 K 8
- 3423 G 4
- 3424 I 4
- 3425 M 4
- 3426 I 4
- M 3427 F 4
- 3428 J 4
- 3429 R22
- 3430 P22
- 3431 R 4
- 3432 F 4
- 3433 B22
- 3434 Q22
- 3435 B 4
- 3436 O 4
- N 3437 C22
- 3438 M22
- 3439 C 4
- 3440 M 4
- 3441 C 4
- 3442 H 4
- 3443 D17
- 3444 L17
- 3447 D17
- 3449 F12
- O 3450 K12
- 3451 H14
- 3452 H14
- 3453 H15
- 6401 H15
- 7401 L 7
- 7402 K17
- 7404 J12
- P 7405 H14

120U	B 4	1810	F25	2600	C 5	2606	J 5	2612	J 8	2618	H 3	2625	H10	2631	H12	2637	H14	2643	F12	2667	C21	3600	C 6	3610	D 5	3616	K 6	3622	J 7	3628	L13	3638	M 5	3647	Q 9	3652	I10	3657	O11	3665	H14	3671	E 9	3677
120U	D 4	1811	F25	2601	B 4	2607	I 8	2613	H 7	2619	O 7	2626	K10	2632	K12	2638	K14	2644	O11	2668	C21	3605	R 4	3611	I 5	3617	H 6	3623	L11	3629	L14	3639	M 4	3648	J 9	3652	L10	3658	L11	3666	K14	3672	F 9	3678
1601	M15	1838	E25	2602	D 4	2608	J 6	2614	K 7	2621	O 9	2627	H11	2633	I13	2639	F 4	2641	H19	2670	L23	3608	C 4	3612	J 5	3618	K 6	3624	L10	3630	L10	3640	M 3	3649	I 9	3653	O10	3659	I11	3667	H10	3673	E10	3679
1807	F25	1702	O18	2603	I 4	2609	H 6	2615	K 7	2622	J 9	2628	K11	2634	J13	2640	F 5	2662	C26	2672	M23	3607	B 3	3613	I 5	3619	H 8	3625	L12	3631	L 5	3641	M 3	3650	L 9	3654	J10	3660	J11	3668	K10	3674	E10	3680
1808	E25	1714	O14	2604	J 4	2610	K 6	2616	K 7	2623	O10	2629	I12	2635	H14	2641	O 4	2663	J23	2680	M 5	3608	D 3	3614	J 5	3620	K 8	3626	L12	3632	O 7	3645	I 9	3651	O10	3655	I10	3661	H12	3669	O10	3675	D 9	3681
1809	F25	1720	O15	2605	I 5	2611	I 8	2617	L 6	2624	J10	2630	J12	2636	K14	2642	O10	2664	B20	2681	N 5	3609	B 5	3615	I 6	3621	I 7	3627	L14	3637	H 5	3646	J 9	3651	J10	3656	L10	3662	K12	3670	E 9	3676	E11	3682

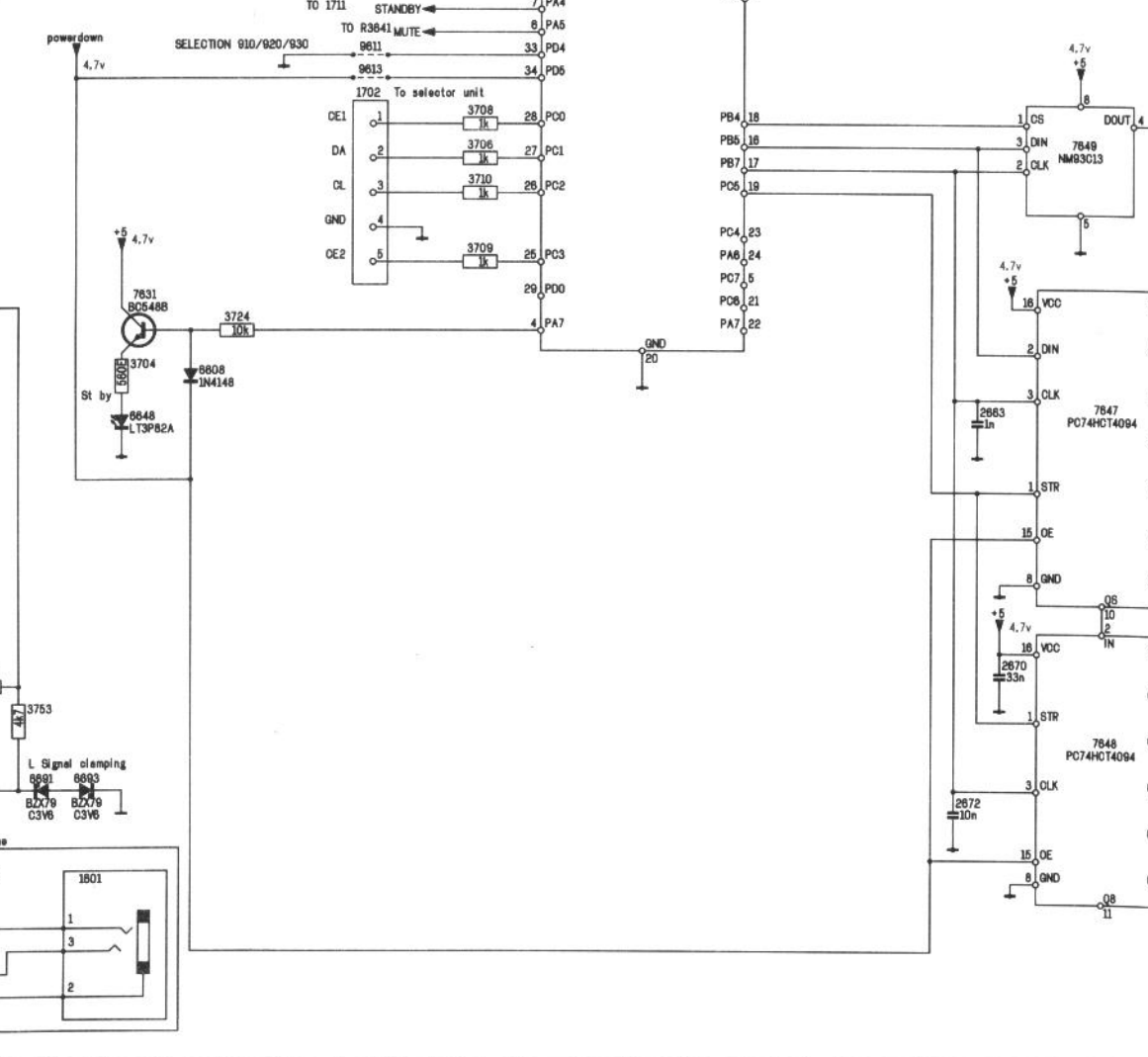
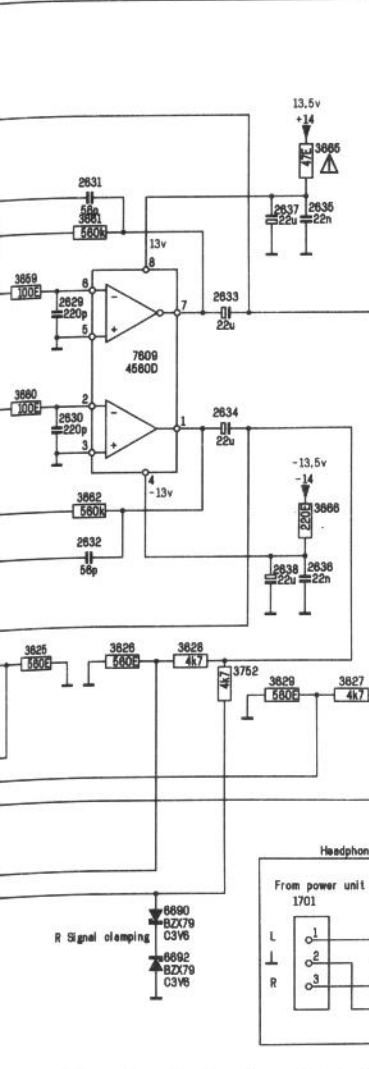
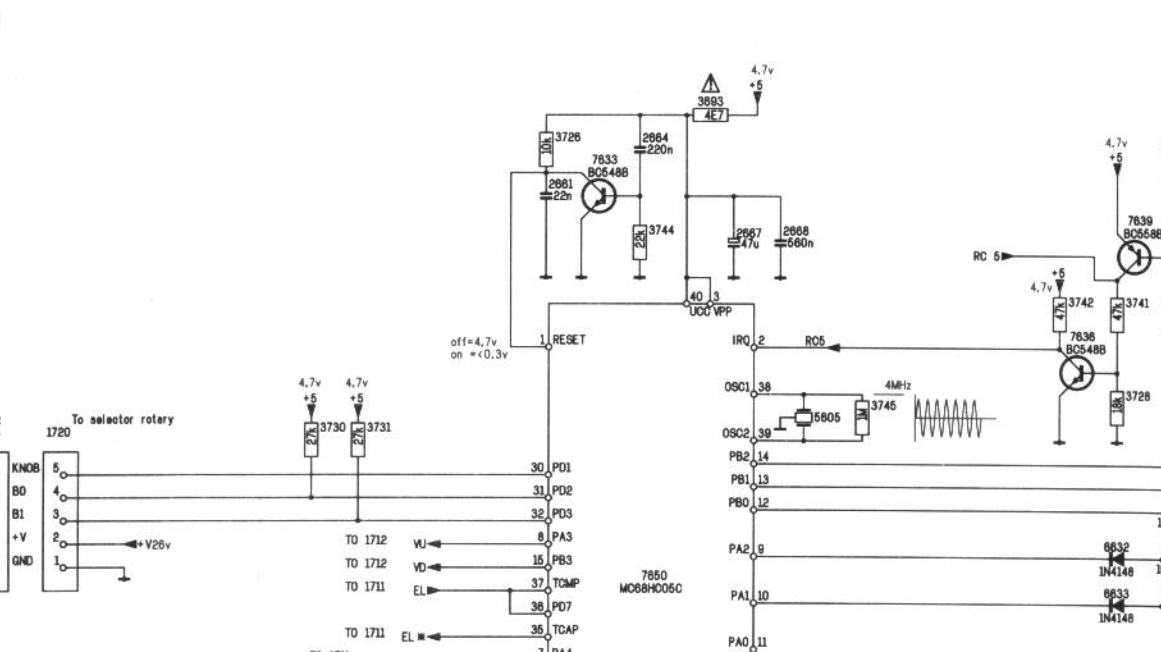
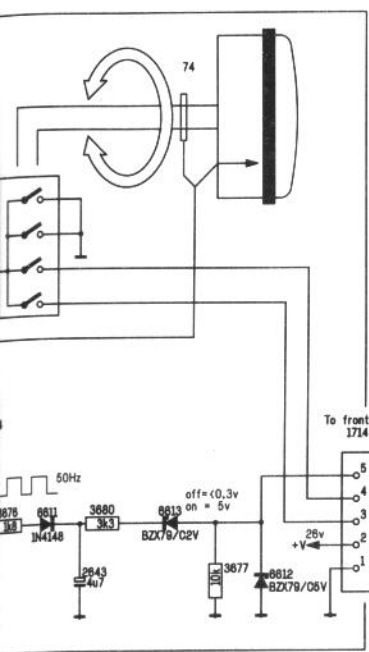
FRONT UNIT



Rotary selector

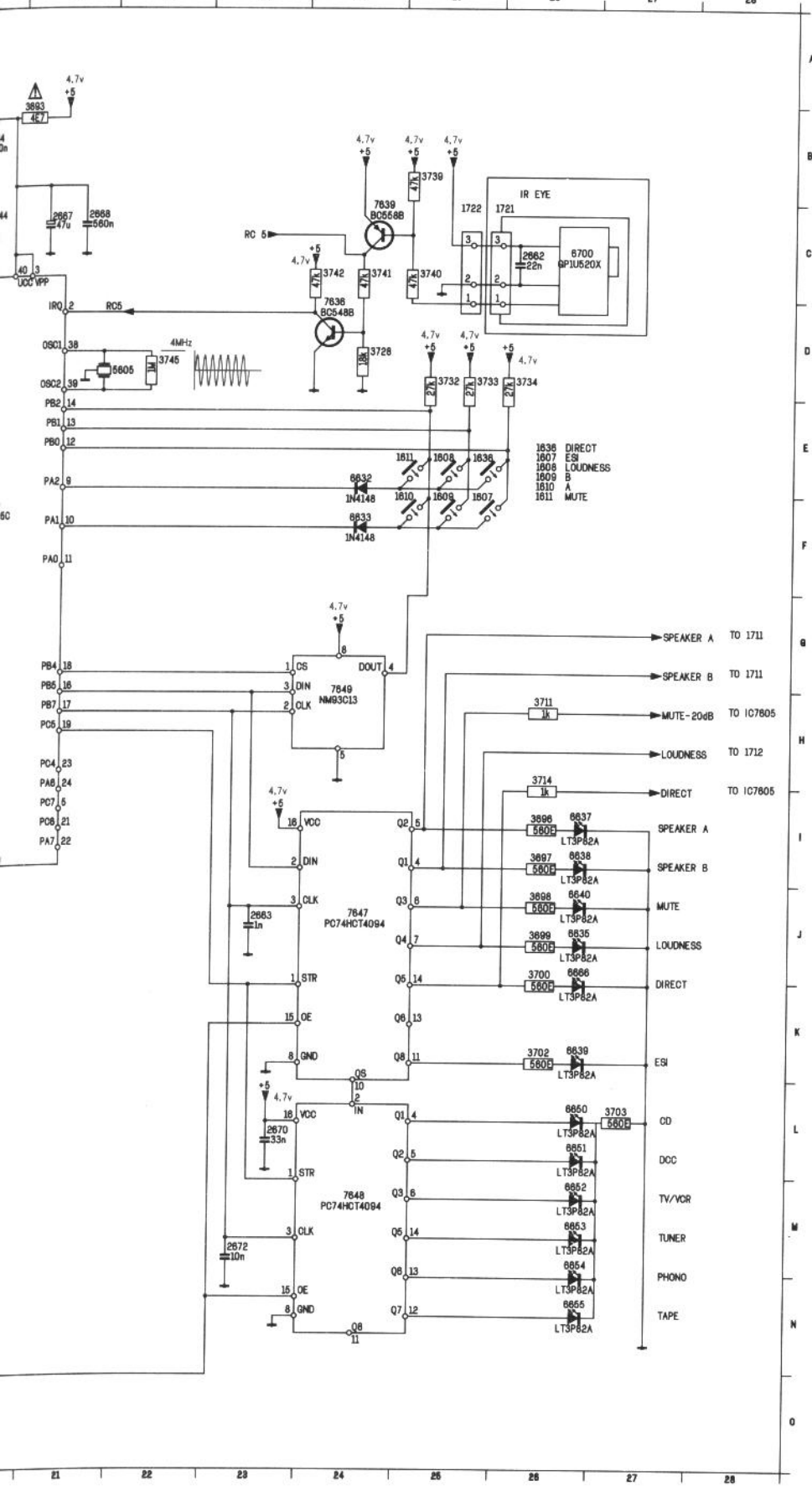


9	3652	110	3657	011	3685	H14	3671	E 9	3677	F13	3687	I26	3704	I16	3714	H26	3732	D25	3742	C24	3751	L11	6604	L 5	6610	D10	6616	0 4	6639	K26	6653	M26	6692	N13	7604	C 6	7611	E11	7647	J24
1	3652	L10	3658	L11	3686	H14	3672	F 9	3678	0 4	3688	J26	3706	H19	3724	I17	3733	D25	3744	C20	3752	L13	6605	0 7	6611	E12	6632	F24	6640	J26	6654	M26	6693	N15	7605	M 6	7612	H 3	7648	M24
1	3653	010	3659	111	3687	H10	3673	E10	3679	0 5	3689	J26	3708	019	3726	819	3734	D26	3745	D22	3753	L15	6606	M 9	6612	F14	6633	F24	6648	J16	6655	N26	6700	C26	7607	M 5	7631	I16	7649	Q24
1	3654	J10	3660	J11	3668	K10	3674	E10	3680	E12	3700	J26	3708	H19	3728	024	3739	825	3746	C 7	3750	D21	6607	M 4	6613	E13	6635	J26	6650	L26	6666	J26	7601	B 4	7608	M 5	7633	820	7650	F20
010	3655	110	3661	H12	3669	D10	3675	0 9	3683	821	3702	K26	3710	H19	3730	017	3740	C25	3747	8 6	6601	C 5	6608	I16	6614	F 4	6637	I26	6651	L26	6690	N13	7602	D 4	7609	I13	7636	024	9611	018
J10	3656	L10	3662	K12	3670	E 9	3676	E 11	3686	I26	3703	L27	3711	H26	3731	018	3741	C24	3750	L 9	6603	M 4	6609	D10	6615	0 5	6638	I26	6652	H26	6681	H15	7603	I 6	7610	E 4	7639	C24	9613	018



12	13	14	15	16	17	18	19	20	21	22	23	24	25	26	27	28	29	30	31	32	33	34	35	36	37	38	39	40	41	42	43	44	45	46	47	48	49	50
----	----	----	----	----	----	----	----	----	----	----	----	----	----	----	----	----	----	----	----	----	----	----	----	----	----	----	----	----	----	----	----	----	----	----	----	----	----	----

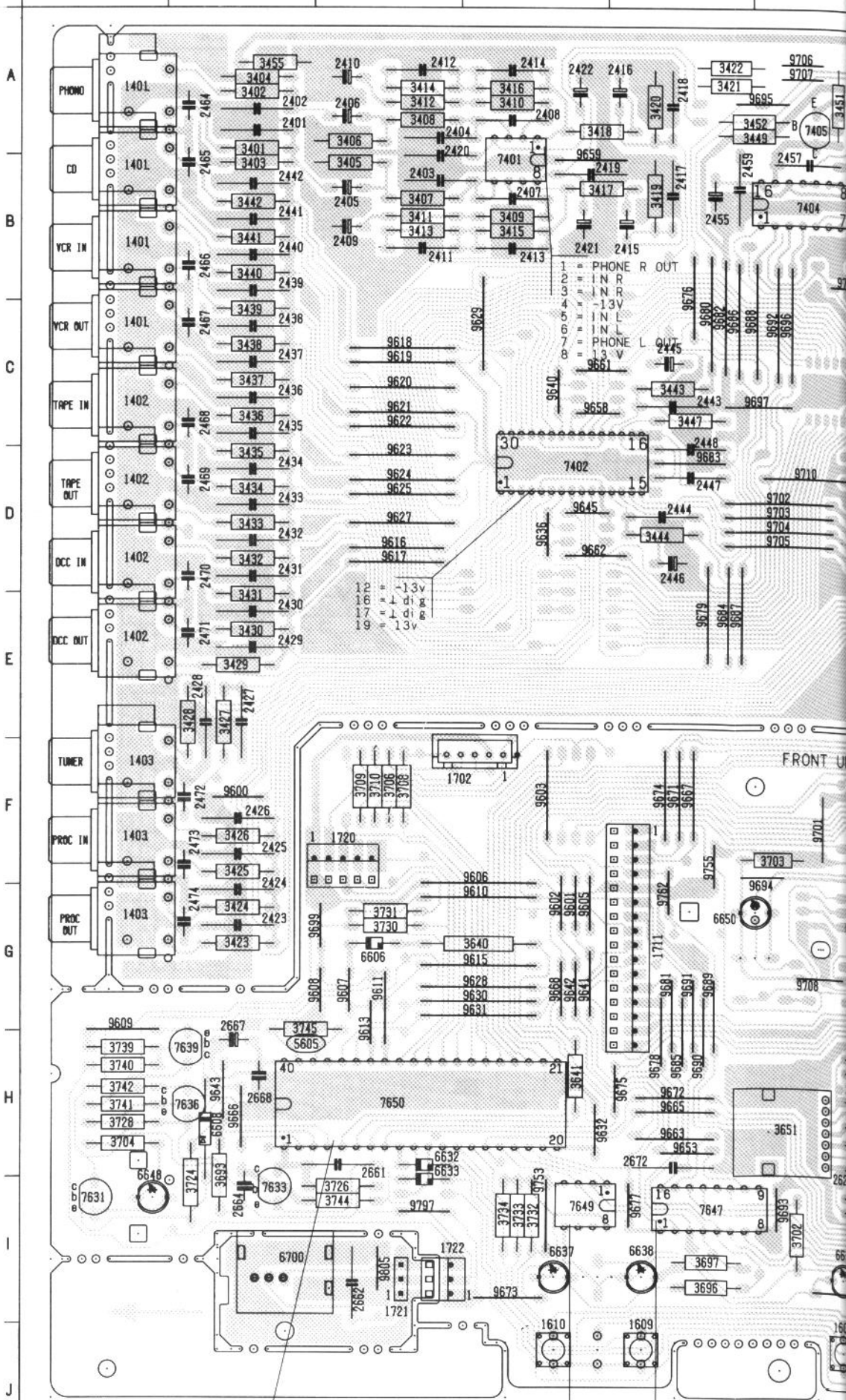
6639	K26	6653	M26	6692	M13	7604	C 6	7611	E11	7647	J24
6640	J26	6654	M26	6693	M15	7605	M 6	7612	M 3	7648	M24
6648	J16	6655	M26	6700	C26	7607	M 5	7631	I16	7649	G24
6650	L26	6666	J26	7601	B 4	7608	N 5	7633	R20	7650	F20
6651	L26	6690	M13	7602	D 4	7609	I13	7636	G24	8611	G18
6652	M26	6691	M15	7603	I 6	7610	E 4	7639	G24	8613	G18



- 1836 DIRECT
- 1807 ES
- 1808 LOUDNESS
- 1809 B
- 1810 A
- 1811 MUTE

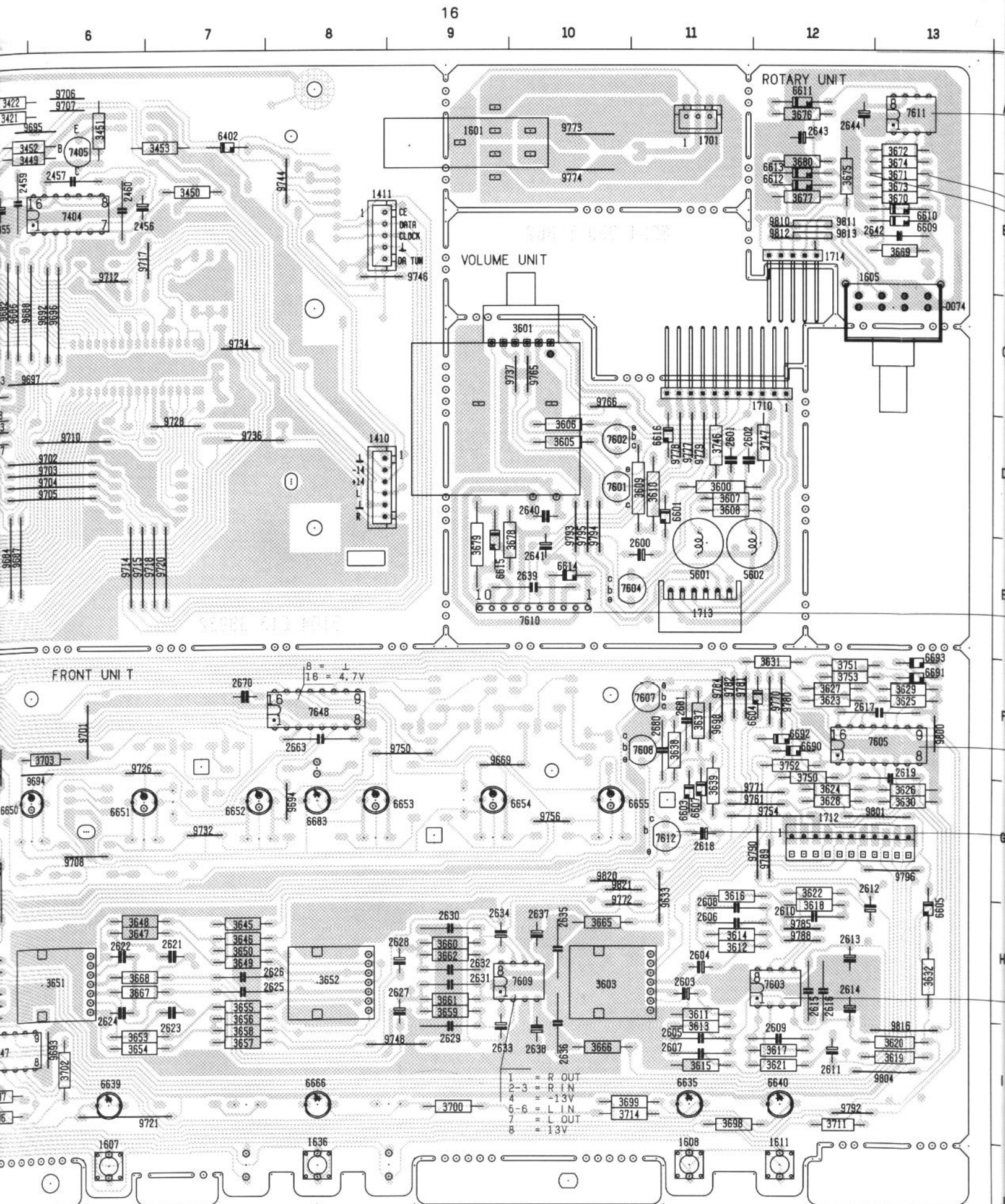
1 2 3 4 5 6

0074	C13	2612	G12	3617	I12	6615	E 9	9686	C 5
1401	A 1	2613	H12	3618	H12	6616	D11	9687	E 5
1401	B 1	2614	H12	3619	I13	6632	H 3	9688	C 5
1401	B 1	2615	H12	3620	I13	6633	H 3	9689	C 5
1401	C 1	2616	H12	3621	I12	6635	I11	9690	H 5
1402	C 1	2617	F12	3622	G12	6637	I 4	9691	G 5
1402	D 1	2618	G11	3623	F12	6638	I 5	9692	C 6
1402	D 1	2619	F13	3624	G12	6639	I 6	9693	I 6
1402	E 1	2621	H 7	3625	F13	6640	I12	9694	G 6
1403	F 1	2622	H 6	3626	G13	6648	H 1	9694	A 6
1403	F 1	2623	I 7	3627	F12	6650	G 5	9695	A 6
1403	G 1	2624	I 6	3628	G12	6651	G 6	9696	C 6
1410	D 8	2625	H 8	3629	F13	6652	G 7	9697	C 6
1411	B 8	2626	H 8	3630	G13	6653	G 9	9698	F11
1601	A 9	2627	H 9	3631	F12	6654	G10	9699	G 3
1605	B12	2628	H 9	3632	F11	6655	G11	9701	F 6
1607	J 6	2629	I 9	3637	H11	6666	I 8	9702	D 6
1608	I11	2630	H 9	3638	F11	6683	G 8	9703	D 6
1609	J 5	2631	H 9	3639	G11	6690	F12	9704	D 6
1610	J 4	2632	H 9	3640	G 4	6691	F13	9705	D 6
1611	I12	2633	I 9	3641	H 4	6692	F12	9706	A 6
1636	I 8	2634	H 9	3645	H 7	6693	F13	9707	A 6
1701	A11	2635	H10	3646	H 6	6700	I 2	9708	G 6
1702	F 3	2636	I10	3647	H 6	7401	B 4	9710	D 6
1710	C12	2637	H10	3648	H 6	7404	D 4	9712	B 6
1711	G 5	2638	I10	3649	H 7	7404	B 6	9714	B 6
1712	G12	2639	E10	3650	H 7	7405	A 6	9715	F 6
1713	E11	2640	D10	3651	H 6	7601	D10	9717	B 7
1714	B12	2641	E10	3652	H 8	7602	D10	9718	E 7
1720	F 3	2642	B13	3653	I 6	7603	H12	9720	E 7
1721	I 3	2643	A12	3654	I 6	7604	E11	9721	I 7
1722	I 3	2644	A12	3655	H 7	7605	F13	9726	F 6
2401	A 2	2661	I 3	3656	I 7	7607	F11	9728	O 7
2402	A 2	2662	I 3	3657	I 7	7608	F11	9732	C 7
2403	A 3	2663	F 8	3658	I 7	7609	H10	9734	C 7
2404	A 3	2664	I 2	3659	H 9	7610	E10	9736	D 7
2405	A 3	2667	G 2	3660	H 9	7611	A13	9737	C10
2406	A 3	2668	H 2	3661	H 9	7612	G11	9744	E 8
2407	B 4	2670	F 7	3662	H 9	7631	I 1	9746	B 9
2408	A 4	2672	H 5	3665	H10	7633	I 2	9748	I 9
2409	A 3	2680	F11	3666	H10	7636	H 2	9750	F 9
2410	A 3	2681	F11	3667	H10	7639	H 2	9753	I 4
2411	B 3	3401	A 2	3668	H 6	7647	I 5	9754	G12
2412	A 3	3402	A 2	3669	B13	7648	F 4	9755	F 5
2413	B 4	3403	B 2	3670	B13	7649	I 4	9756	G10
2414	A 4	3404	A 2	3671	B13	7650	H 3	9761	G12
2415	B 5	3405	B 3	3672	B13	9600	F 2	9762	G 5
2416	A 5	3406	A 3	3673	B13	9601	G 4	9765	C10
2417	B 5	3407	B 3	3674	B13	9602	G 4	9766	C10
2418	A 5	3408	A 3	3675	B12	9603	F 4	9770	F12
2419	B 5	3409	B 4	3676	B12	9605	G 4	9771	G12
2420	B 3	3410	A 4	3677	B12	9606	F 4	9772	H10
2421	B 4	3411	B 3	3678	E10	9607	G 3	9773	A10
2422	A 4	3412	A 3	3679	E 9	9608	G 3	9774	B10
2423	G 2	3413	B 3	3680	A12	9609	G 1	9777	D11
2424	G 2	3414	A 3	3693	H 2	9610	G 4	9778	D11
2425	F 2	3415	B 4	3696	I 5	9611	G 3	9779	D11
2426	F 2	3416	A 4	3697	I 5	9613	G 3	9780	F12
2427	E 2	3417	B 4	3698	I11	9615	G 4	9781	F11
2428	E 2	3418	A 4	3699	I10	9616	D 3	9782	F11
2429	E 2	3419	B 5	3700	I 9	9617	D 3	9784	F11
2430	E 2	3420	A 5	3702	I 6	9618	C 3	9785	H12
2431	D 2	3421	A 5	3703	F 6	9619	C 3	9788	H12
2432	D 2	3422	A 5	3704	H 1	9620	C 3	9789	G12
2433	D 2	3423	G 2	3706	F 3	9621	C 3	9790	G12
2434	D 2	3424	G 2	3708	F 3	9622	C 3	9792	I12
2435	C 2	3425	F 2	3709	F 3	9623	C 3	9793	D10
2436	C 2	3426	F 2	3710	F 3	9624	C 3	9794	D10
2437	C 2	3427	E 2	3711	I12	9625	C 3	9795	D10
2438	C 2	3428	E 2	3714	I10	9627	D 3	9796	G13
2439	B 2	3429	E 2	3724	I 2	9628	G 4	9797	I 3
2440	B 2	3430	E 2	3726	I 3	9629	C 4	9800	F13
2441	B 2	3431	E 2	3728	H 1	9630	G 4	9801	G13
2442	B 2	3432	D 2	3730	G 3	9631	G 4	9804	I13
2443	C 5	3433	D 2	3731	G 3	9632	H 4	9805	I 3
2444	D 5	3434	D 2	3732	I 4	9633	G11	9810	B12
2445	C 5	3435	D 2	3733	I 4	9636	D 4	9811	B12
2446	D 5	3436	C 2	3734	I 4	9640	C 4	9812	B12
2447	D 5	3437	C 2	3739	H 1	9641	G 4	9813	B12
2448	C 5	3438	C 2	3740	H 1	9642	G 4	9816	I13
2455	B 5	3439	C 2	3741	H 1	9643	H 2	9820	G10
2456	B 6	3440	B 2	3742	H 1	9645	D 4	9821	G10
2457	B 6	3441	B 2	3744	I 3	9653	H 5		
2459	B 5	3442	B 2	3745	H 2	9658	C 4		
2460	B 6	3443	C 5	3746	D11	9659	B 4		
2464	A 2	3444	D 5	3747	D12	9661	C 4		
2465	B 2	3447	C 5	3750	D12	9662	D 4		
2466	B 2	3449	A 6	3751	F12	9663	H 5		
2467	C 2	3450	B 7	3752	F12	9665	H 5		
2468	C 2	3451	A 6	3753	F12	9666	H 2		
2469	D 2	3452	A 6	5601	E11	9667	F 5		
2470	D 2	3453	A 7	5602	E12	9668	G 4		
2471	E 2	3455	A 2	5605	H 2	9669	F 9		
2472	F 2	3600	D11	6402	A 7	9671	F 5		
2473	F 2	3601	C10	6402	A 7	9672	H 5		
2474	G 2	3603	H10	6601	D11	9673	I 4		
2600	E11	3605	D10	6603	G11	9674	F 5		
2601	D11	3606	D10	6604	F12	9675	H 5		
2602	D11	3607	D11	6605	H13	9676	B 5		
2603	H11	3608	D11	6606	G 3	9677	I 5		
2604	H11	3609	D11	6607	G11	9678	H 5		
2605	I11	3610	D11	6608	H 2	9679	E 5		
2606	H11	3611	H11	6609	B13	9680	C 5		
2607	I11	3612	H11	6610	B13	9681	G 5		
2608	H11	3613	I11	6611	A12	9682	C 5		
2609	I12	3614	H11	6612	B12	9683	D 5		
2610	H12	3615	I11	6613	A12	9684	E 5		
2611	I12	3616	G11	6614	E10	9685	H 5		



1 = reset on = 0.3v 17 = clock
 3 = 4.7v off = 4.7v 38 = rhz
 6 = mute on = 0v 40 = 4.7v
 7 = st/by on = 4.7v
 8 = 4.7v 8 = 1
 5 = 1 16 = 4.7v

3104-2



16

10

11

12

13

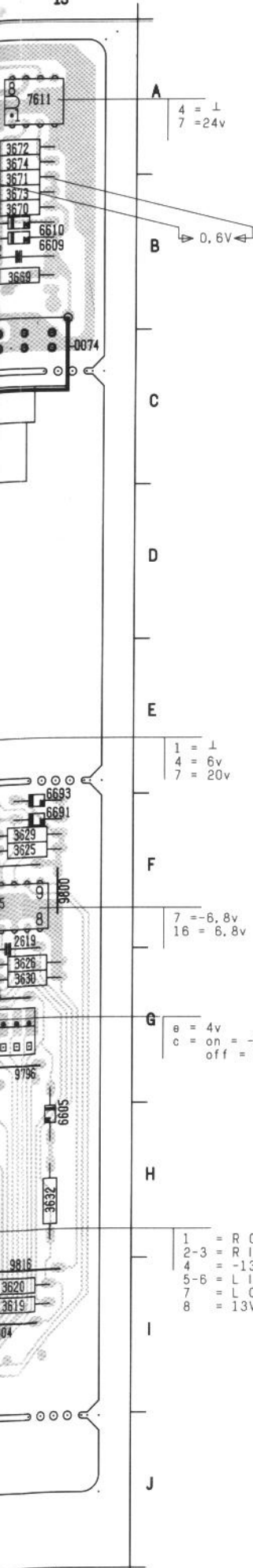
ROTARY UNIT

VOLUME UNIT

FRONT UNIT

- 1 = R OUT
- 2-3 = R IN
- 4 = -13V
- 5-6 = L IN
- 7 = L OUT
- 8 = 13V

13



A
4 = \perp
7 = 24v

B \triangleleft 0.6V \triangleleft

C

D

E

1 = \perp
4 = 6v
7 = 20v

F

7 = -6.8v
16 = 6.8v

G

e = 4v
c = on = -0.6v
off = 4v

H

1 = R OUT
2-3 = R IN
4 = -13V
5-6 = L IN
7 = L OUT
8 = 13V

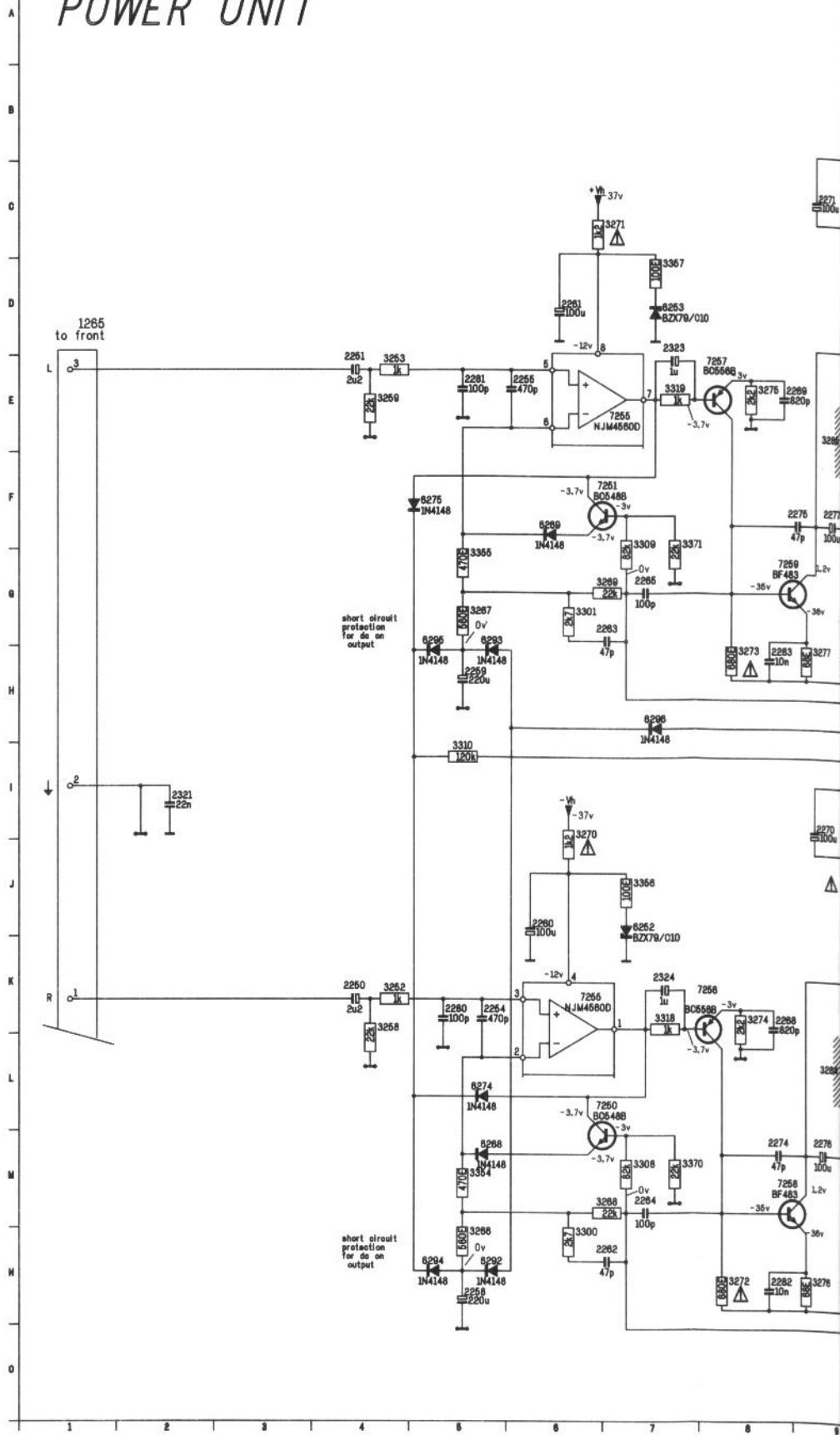
I

J

13

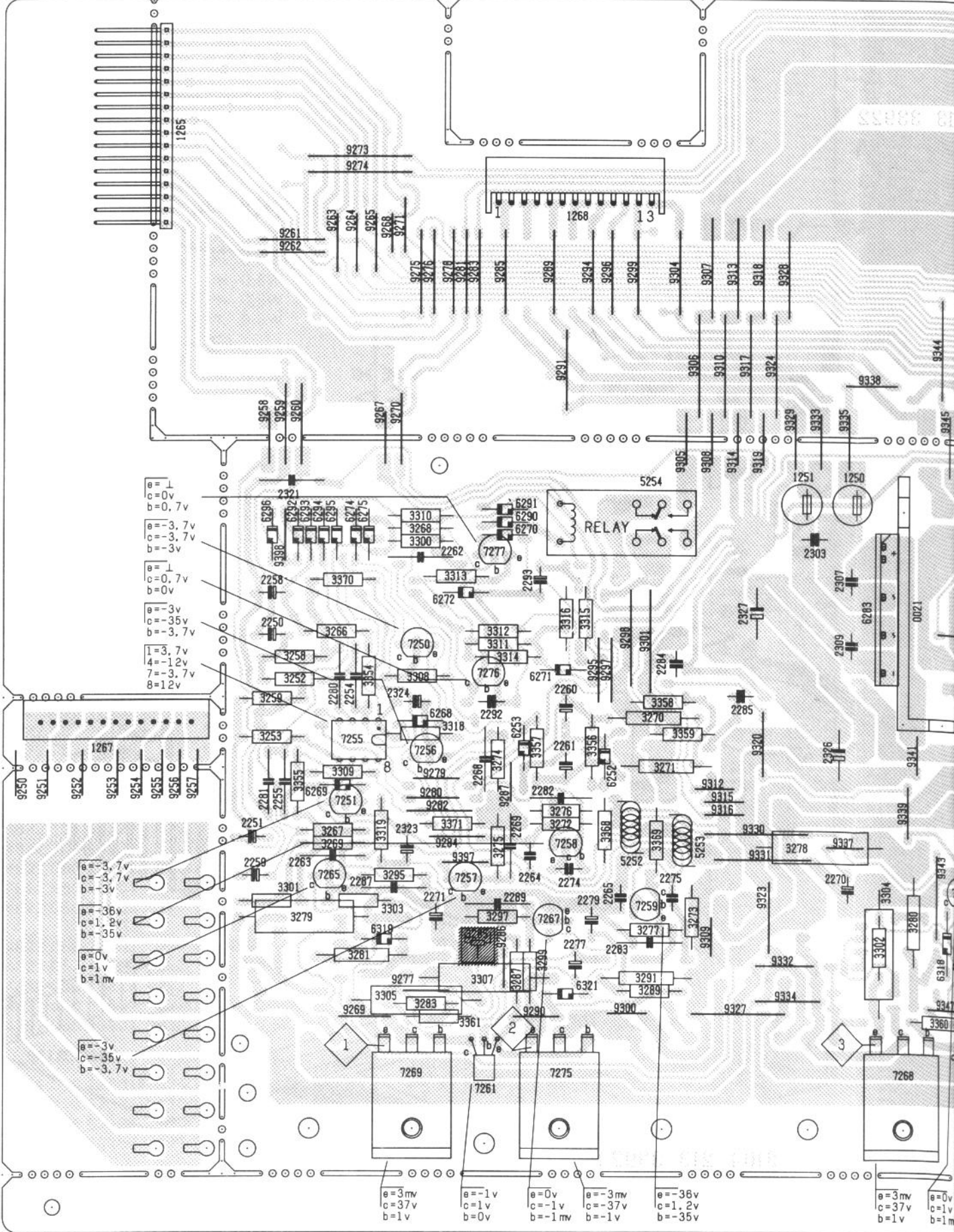
1250	F26	1262	M17	1531	090	2255	E 5	2262	N 7	2269	E 8	2276	M 9	2281	E 5	2286	L11	2292	D16	2297	I21	2313	J24	2318	J21	2324	K 7
1251	028	1265	H18	1551	L30	2256	M 5	2263	G 7	2270	I 9	2277	F 9	2282	N 6	2287	E11	2293	B15	2298	I20	2314	J25	2319	J22	2326	G 7
1259	I26	1266	E18	2250	K 4	2259	H 5	2264	M 7	2271	C 9	2278	H 9	2283	H 8	2288	L11	2294	L23	2303	025	2315	K25	2321	I 2	2327	023
1260	K26	1525	H30	2251	E 4	2260	J 6	2265	G 7	2274	N 9	2279	H 9	2284	L13	2289	E11	2295	L22	2307	F24	2316	J23	2322	K22	2328	H22
1261	M17	1525	M31	2254	K 5	2261	D 6	2268	K 8	2275	F 9	2280	K 5	2285	F13	2290	M17	2296	L21	2309	025	2317	K23	2323	D 7	2330	H23

POWER UNIT



POWER UNIT

A
B
C
D
E
F
G
H
I
J



	0021	E 8	3288	H10	7260	I 8	9355	H 9
	0024	G10	3289	H 6	7261	I 5	9356	D 9
	1250	D 7	3290	H10	7264	G 8	9360	D 9
	1251	D 7	3291	H 6	7265	G 3	9361	H 9
	1259	D 9	3294	H 8	7266	H 9	9362	C 9
A	1260	D 9	3295	G 4	7267	H 5	9363	A10
	1261	H12	3296	H10	7268	I 8	9364	D10
	1262	F12	3297	H 5	7269	I 4	9365	D10
	1263	B12	3298	H 9	7274	I 9	9366	F10
	1265	B 2	3299	H 5	7275	I 5	9368	D10
	1266	B 9	3300	E 4	7276	F 5	9369	D10
	1267	F 2	3301	G 3	7277	E 5	9370	D10
	1268	B 5	3302	H 8	7279	A11	9371	B11
	1269	F13	3303	H 4	7280	A10	9373	F11
	1270	H13	3304	G 8	7281	I10	9375	D11
B	2250	E 3	3305	H 4	7282	H11	9376	D11
	2251	G 3	3306	G 9	7283	H11	9377	D11
	2254	F 4	3307	H 5	7284	E11	9379	H11
	2255	G 3	3308	F 4	7285	H11	9380	C11
	2258	E 3	3309	G 3	7286	G12	9381	C11
	2259	G 3	3310	E 4	7287	G11	9382	F11
	2260	F 5	3311	F 5	9250	G 1	9383	F11
	2261	F 5	3312	F 5	9251	G 1	9384	C11
	2262	E 4	3313	E 4	9252	G 1	9385	C11
	2263	G 3	3314	F 5	9253	G 2	9386	D11
	2264	G 5	3315	E 5	9254	G 2	9387	F11
C	2265	G 5	3316	E 5	9255	G 2	9388	F11
	2268	G 5	3318	F 4	9256	G 2	9389	F11
	2269	G 5	3319	G 4	9257	G 2	9390	C12
	2270	G 7	3320	A11	9258	D 3	9391	H13
	2271	H 4	3321	A11	9259	D 3	9392	H13
	2274	G 5	3330	H11	9260	D 3	9393	H13
	2275	G 6	3331	H11	9261	C 3	9394	H13
	2276	H 9	3332	H12	9262	C 3	9395	H13
	2277	H 5	3333	H12	9263	B 3	9396	H13
	2278	H 9	3342	E10	9264	B 4	9397	G 4
	2279	H 5	3343	H10	9265	B 4	9398	E 3
D	2280	F 3	3344	H10	9267	D 4		
	2281	G 3	3345	H10	9268	B 4		
	2282	G 5	3346	A 9	9269	H 4		
	2283	H 6	3347	A10	9270	D 4		
	2284	F 6	3348	B 9	9271	B 4		
	2285	F 6	3349	B 9	9273	B 4		
	2286	H 8	3350	F10	9274	B 4		
	2287	G 4	3354	F 4	9275	C 4		
	2288	H 9	3355	G 3	9276	C 4		
	2289	H 5	3356	F 5	9277	H 4		
	2290	G12	3357	F 5	9278	C 4		
E	2292	F 5	3358	F 6	9279	G 4		
	2293	E 5	3359	F 6	9280	G 4		
	2294	G10	3360	H 8	9281	C 4		
	2295	G10	3361	I 4	9282	G 4		
	2296	E11	3368	G 5	9283	C 4		
	2297	D10	3369	G 6	9284	G 4		
	2298	D10	3370	E 3	9285	C 5		
	2303	E 7	3371	G 4	9286	H 5		
	2307	E 7	3372	E10	9287	G 5		
	2309	F 7	5252	G 6	9289	C 5		
F	2313	E 9	5253	G 6	9290	H 5		
	2314	E 9	5254	D 6	9291	D 5		
	2315	E 9	5255	B11	9294	C 5		
	2316	F10	5256	B10	9295	F 5		
	2317	G10	6252	G 6	9296	C 5		
	2318	G10	6253	F 5	9297	F 5		
	2319	H10	6254	G10	9298	F 6		
	2321	D 3	6255	G11	9299	C 6		
	2322	H11	6268	F 4	9300	H 6		
	2323	G 4	6269	G 3	9301	F 6		
	2324	F 4	6270	E 5	9304	C 6		
	2326	F 7	6271	F 5	9305	D 6		
G	2327	E 7	6272	E 4	9306	C 6		
	2328	H11	6273	G11	9307	C 6		
	2330	F11	6274	E 4	9308	D 6		
	2331	H12	6275	E 4	9309	H 6		
	3252	F 3	6276	E11	9310	C 6		
	3253	F 3	6277	E10	9312	G 6		
	3254	E10	6278	E 9	9313	C 6		
	3255	E10	6279	E 9	9314	D 6		
	3256	G11	6280	E 9	9315	G 6		
	3257	F11	6281	E 9	9316	G 6		
H	3258	F 3	6282	H10	9317	C 7		
	3259	F 3	6283	E 7	9318	C 7		
	3260	F12	6286	B11	9319	D 7		
	3261	G12	6287	B11	9320	F 7		
	3262	G12	6288	B11	9323	H 7		
	3263	G11	6289	B11	9324	C 7		
	3266	F 3	6290	E 5	9327	H 6		
	3267	G 3	6291	E 5	9328	C 7		
	3268	E 4	6292	E 3	9329	D 7		
	3269	G 3	6293	E 3	9330	G 7		
	3270	F 6	6294	E 3	9331	G 7		
I	3271	G 6	6295	E 3	9332	H 7		
	3272	G 5	6296	E 3	9333	D 7		
	3273	H 6	6298	H12	9334	H 7		
	3274	F 5	6299	H11	9335	D 7		
	3275	G 5	6301	H11	9337	G 7		
	3276	G 5	6318	H 8	9338	D 7		
	3277	H 6	6319	H 4	9339	G 8		
	3278	G 7	6320	H 9	9341	F 8		
	3279	H 3	6321	H 5	9343	G 8		
	3280	H 8	7250	F 4	9344	C 8		
	3281	H 4	7251	G 3	9345	D 8		
J	3282	H 8	7252	G10	9347	H 8		
	3283	H 4	7255	F 4	9349	E 8		
	3284	H 9	7256	F 4	9350	D 9		
	3285	H 4	7257	G 4	9351	D 9		
	3286	H 9	7258	G 5	9353	A 9		
	3287	H 5	7259	H 6	9354	D 9		

ANCE FROM PCB: